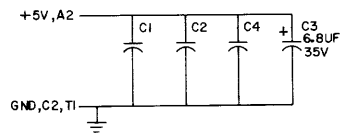
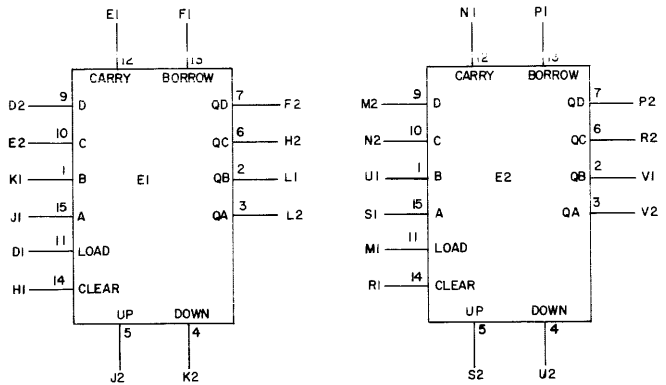


THIS SCHEMATIC IS FURNISHED ONLY FOR TEST AND MAINTENANCE PURPOSES. THE CIRCUITS ARE PROPRIETARY IN NATURE AND SHOULD BE TREATED ACCORDINGLY. COPYRIGHT 1970 BY DIGITAL EQUIPMENT CORPORATION



UNLESS OTHERWISE INDICATED:
 E1, E2 ARE DEC74193
 PIN 8 = GND ON E1, E2
 PIN 16 = +5V
 CAPACITORS ARE .01UF, 100V, 20%

REV	DATE	BY
00001	G	

DRN	DATE
NANCY MOORE	8/21/70
CHK'D	DATE
<i>Orson</i>	10/13/70
ENG	DATE
<i>S. Seider</i>	10/23/70
PROD.	DATE

TRANSISTOR & DIODE CONVERSION CHART			
DEC	EIA	DEC	EIA

digital
 EQUIPMENT CORPORATION
 MAYNARD, MASSACHUSETTS

TITLE 2-SYNCHRONOUS 4 BIT UP/DOWN CONVERTERS M238			
SIZE	CODE	NUMBER	REV
B	CS	M238-0-1	C
PRINTED CIRCUIT REV.			D