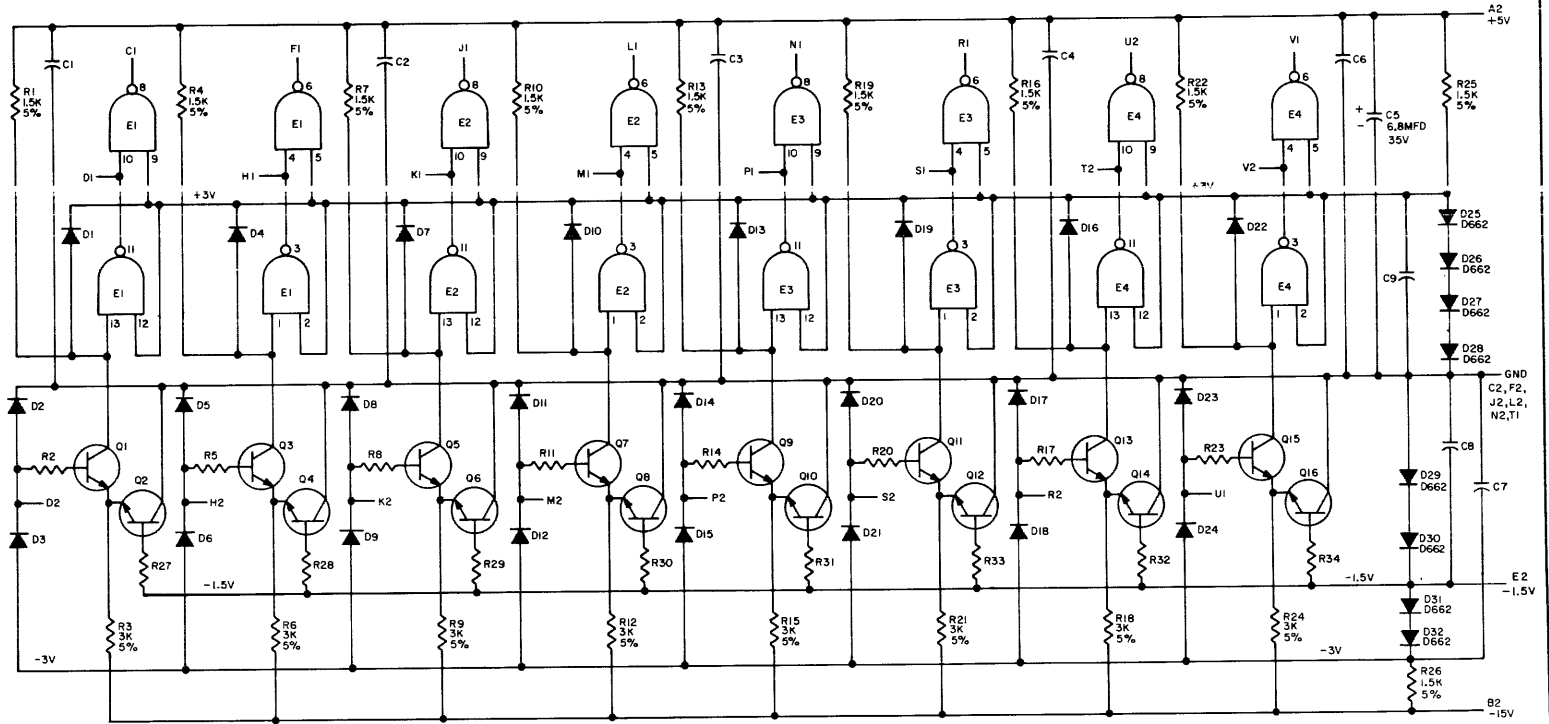


THIS SCHEMATIC IS FURNISHED ONLY FOR TEST AND MAINTENANCE PURPOSES. THE CIRCUITS ARE PROPRIETARY IN NATURE AND SHOULD BE TREATED ACCORDINGLY. COPYRIGHT 1969 BY DIGITAL EQUIPMENT CORPORATION

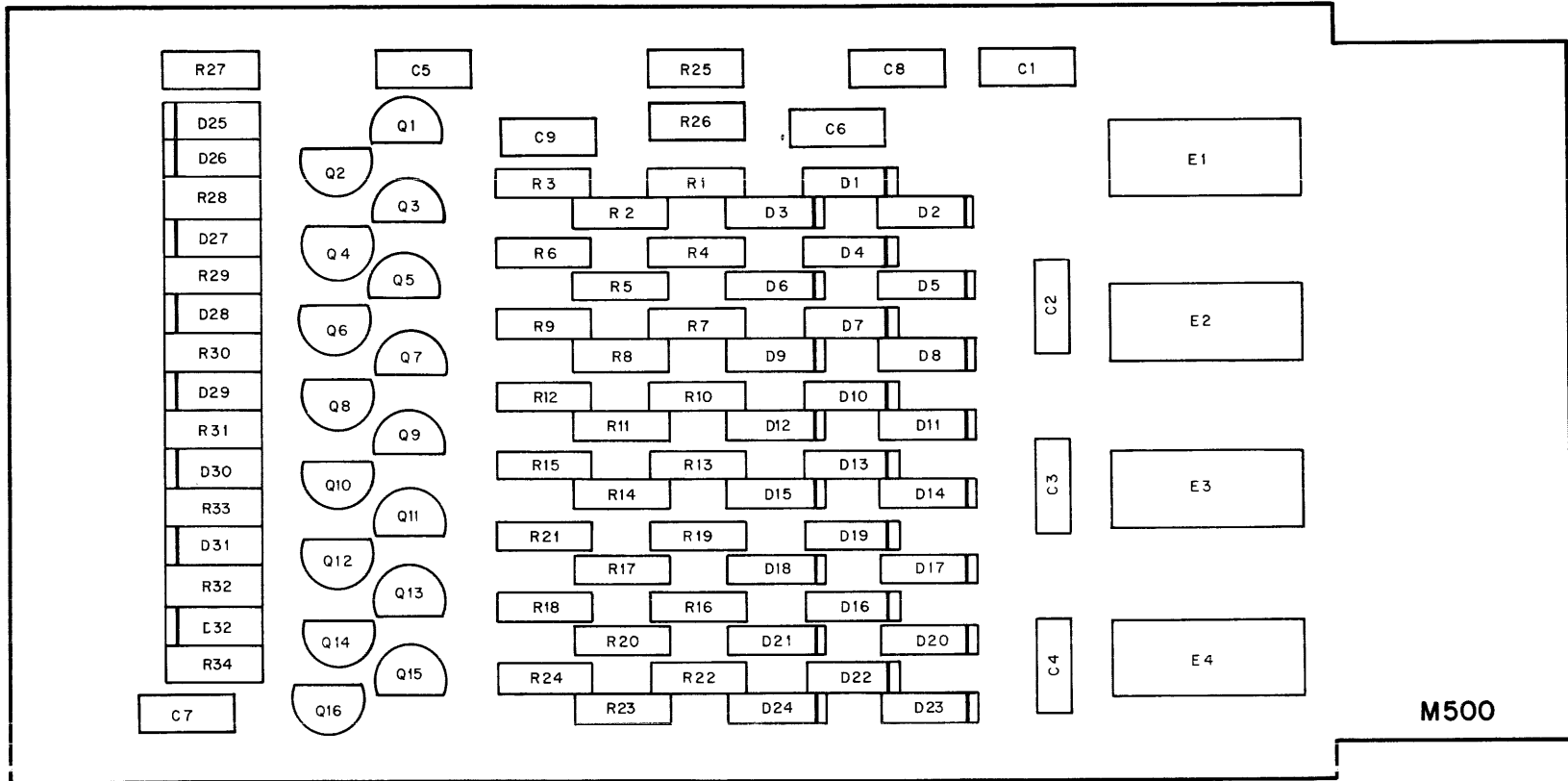


UNLESS OTHERWISE INDICATED:  
 TRANSISTORS ARE DEC3009B  
 DIODES ARE D664  
 RESISTORS ARE 1/4W, 10%  
 IC'S ARE DEC74HOON  
 PIN 7 ON EACH IC = GND  
 PIN 14 ON EACH IC = +5V  
 CAPACITORS ARE .01 MFD  
 RESISTORS ARE 470

M500-4

REVISIONS DATE CHG NO. REL.	DRN: BUTLER	DATE: 5/9/69	TRANSISTOR & DIODE CONVERSION CHART				digital EQUIPMENT CORPORATION MAYFELD, MASSACHUSETTS	TITLE: NEGATIVE INPUT CONVERTER M500		
	CHKD: M. Mowbray	DATE: 5-7-69	DEC	EIA	DEC	EIA		SIZE: C	CODE: CS	NUMBR: M500-0-1
	ENG: P. B. Shaw	DATE: 1-15-68	DEC3009B	2N3009B						
	PROD:	DATE:	D662	IN645						
		DATE:	D664	IN3506						

M500-5



M500