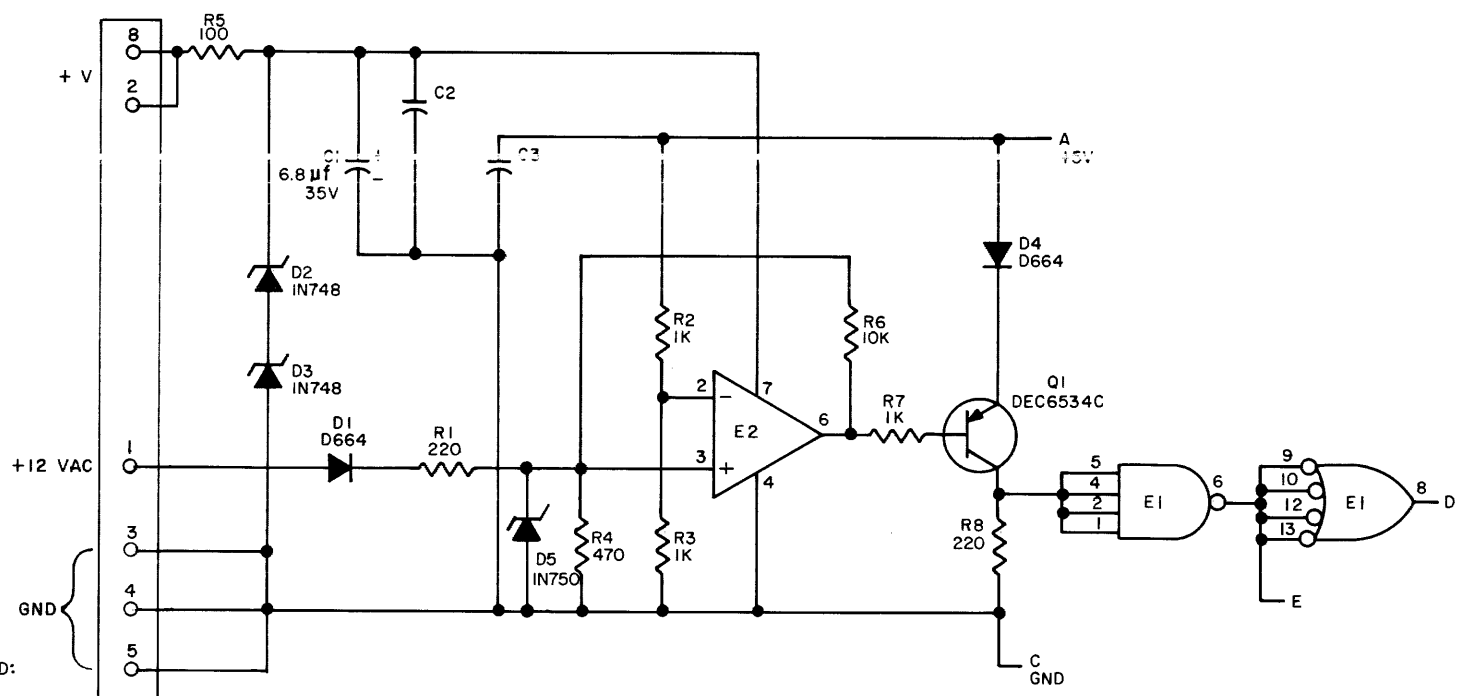


REV. D
NUMBER M515-0-1
CODE CS
SIZE B

THIS SCHEMATIC IS FURNISHED ONLY FOR TEST AND MAINTENANCE PURPOSES. THE CIRCUITS ARE PROPRIETARY IN NATURE AND SHOULD BE TREATED ACCORDINGLY. COPYRIGHT 1969 BY DIGITAL EQUIPMENT CORPORATION



UNLESS OTHERWISE INDICATED:
RESISTORS ARE 1/4W, 5%
E2 IS MC1709CG
E1 IS DEC74H40
CAPACITORS ARE .01μf, 100V, 20%
E1 PIN 7 = GND
E1 PIN 14 = +5V

CONNECTOR IS DEC#1209340
PINS ARE DEC #1209456

REVISIONS CHG. NO. REV. 1 00001 C 2 00003 D 3 00004 SUPP	DRN. BUTLER	DATE 5/7/69	TRANSISTOR & DIODE CONVERSION CHART				digital EQUIPMENT CORPORATION MAYNARD, MASSACHUSETTS	TITLE REAL TIME CLOCK M515			
	CHK'D M. Mansour	DATE 5-8-69	DEC	EIA	DEC	EIA		SIZE B	CODE CS	NUMBER M515-0-1	REV. D
	ENG. DiGiovanni	DATE 9/3/69	DEC6534C	MPS6534				PRINTED CIRCUIT REV. D			
	PROD.	DATE	D664	IN3606							
			IN748	SAME							
			IN750	SAME							

DEC FORM NO. DRB 102

5 PINK 12151324, 434, 433, 3